

Client Name: _____ Fabric Manufacturer: _____

Side-mark: _____ Fabric Name and Color: _____

Link Sales Order Number: _____ Fabric Number: _____

Number of Items on Order: _____ Fabric Repeat: _____

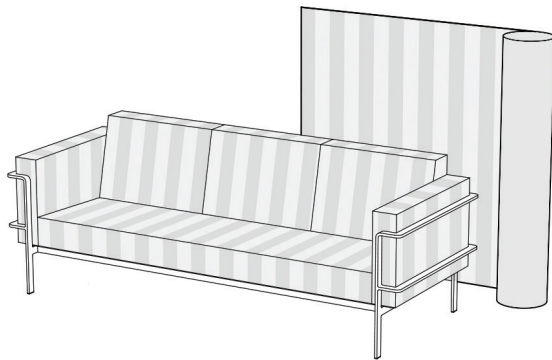
Total Yards Ordered: _____ Welt / Trim / Cord: _____

COM APPLICATION GUIDE

Please specify which of the following applications should be applied to your order(s).
If COM has repeat and or is less than 54 inches wide, additional yardage or seaming may be required.
Yardage requirements are based upon 54 inch wide plain material.

RAILROAD

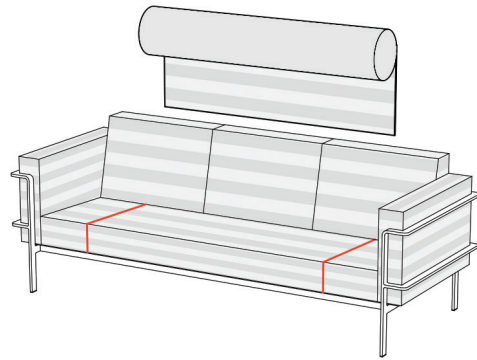
Fabric is applied horizontally, side to side.
This method works best for solid fabrics without a nap on large pieces such as sofas with a single continuous seat cushion to avoid seams.



Attach fabric sample here to indicate the desired direction.
(face side out and top up)

OFF THE BOLT

Fabric is applied vertically, front to back.
If fabric is applied vertically on large pieces such as sofas with one continuous seat cushion, additional seams will be necessary.



Attach fabric sample here to indicate the desired direction.
(face side out and top up)

Please keep in mind the direction of COM on other items of your order that accompany this piece. LINK will upholster additional items to match unless otherwise specified.

Additional Instructions: _____

The fabric positioned above the image serves as an indicator of the correct direction and position. The fabric facing outwards indicates the face side of the upholstery. I hereby authorize Link Outdoor to apply the material as per my instructions mentioned on this form. **In case of no specific instructions, the fabrics will be placed at the discretion of Link Outdoor.**

Signature: _____ Date: _____